



## SQH2512S SERIES ~ Low Profile Semi Power Inductors

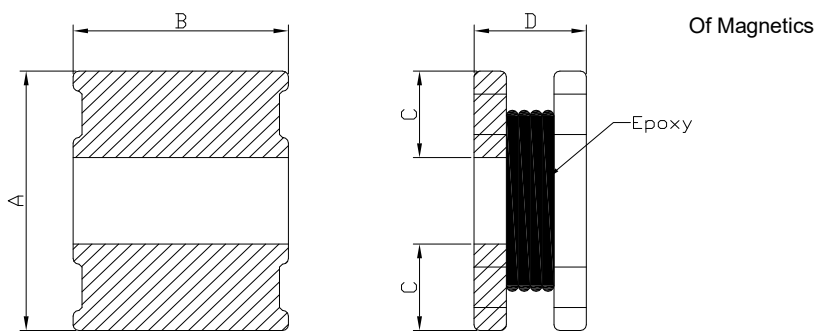


### PART NUMBERING SYSTEM

<b>SQH</b>	<b>2512S</b>	—	<b>6R8M</b>	—	<b>LF</b>
TYPE	DIMENSIONS		INDUCTANCE		LEAD FREE

### SHAPES AND DIMENSIONS

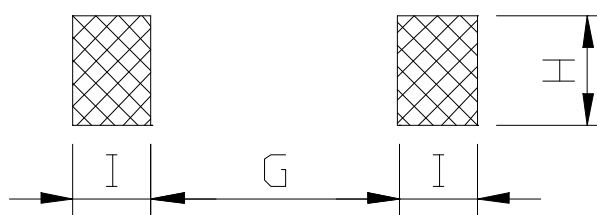
UNIT : mm



A=2.5±0.2 B=2.0±0.2 D=1.3 Max

### RECOMMENDED PATTERNS

UNIT : mm



G=0.8 Ref. H=2.0 Ref. I=0.85 Ref.

### FEATURES

1. Very small power inductor - only 1.3 mm high, 2.5 mm square.
2. Handles current up to 6.50 Asat, 4.05 Arms
3. Inductance range from 0.16uH to 47uH
4. RoHS-compliant – 260°C compatible

## SQH2512S SERIES ~ Low Profile Semi Power Inductors



### SPECIFICATION TABLE

PART NUMBER	INDUCTANCE ( $\mu$ H)	DCR (m $\Omega$ ) (Max.)	Isat (mA)	Irms (mA)	Test Freq.
SQH2512S-R16N-LF	0.16 $\pm$ 30%	22	6.50	4.05	1MHz/1V
SQH2512S-R24N-LF	0.24 $\pm$ 30%	22	4.00	4.05	1MHz/1V
SQH2512S-R33N-LF	0.33 $\pm$ 30%	29	4.00	3.35	1MHz/1V
SQH2512S-R47N-LF	0.47 $\pm$ 30%	36	3.70	3.00	1MHz/1V
SQH2512S-R68N-LF	0.68 $\pm$ 30%	61	3.00	2.10	1MHz/1V
SQH2512S-1R0N-LF	1.0 $\pm$ 30%	44	1.70	2.20	1MHz/1V
SQH2512S-1R2N-LF	1.2 $\pm$ 30%	78	2.20	1.95	1MHz/1V
SQH2512S-1R5N-LF	1.5 $\pm$ 30%	78	2.00	1.95	1MHz/1V
SQH2512S-2R2M-LF	2.2 $\pm$ 20%	96	1.80	1.80	1MHz/1V
SQH2512S-3R3M-LF	3.3 $\pm$ 20%	144	1.15	1.40	1MHz/1V
SQH2512S-4R7M-LF	4.7 $\pm$ 20%	210	1.00	1.12	1MHz/1V
SQH2512S-6R8M-LF	6.8 $\pm$ 20%	360	0.80	0.95	1MHz/1V
SQH2512S-100M-LF	10 $\pm$ 20%	522	0.70	0.79	1MHz/1V
SQH2512S-150M-LF	15 $\pm$ 20%	1000	0.65	0.57	1MHz/1V
SQH2512S-180M-LF	18 $\pm$ 20%	1000	0.50	0.57	1MHz/1V
SQH2512S-220M-LF	22 $\pm$ 20%	1090	0.45	0.54	1MHz/1V
SQH2512S-330M-LF	33 $\pm$ 20%	1840	0.35	0.42	1MHz/1V
SQH2512S-470M-LF	47 $\pm$ 20%	2220	0.25	0.30	1MHz/1V

- Inductance is measured in HP-4285A Precision LCR Meter.
- Isat: DC current at which the inductance drops 30% (typ) from its value without current.
- Irms: Based on temperature rise ( $\Delta$ T : 40 $^{\circ}$ C TYP.)
- Operating temperature range -40 $^{\circ}$ C to +105 $^{\circ}$ C
- Electrical specifications at 25 $^{\circ}$ C.